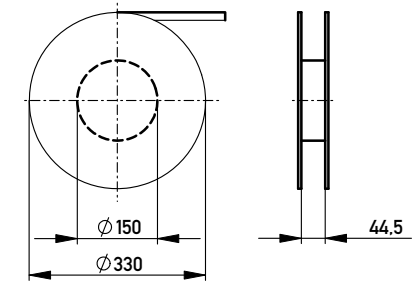
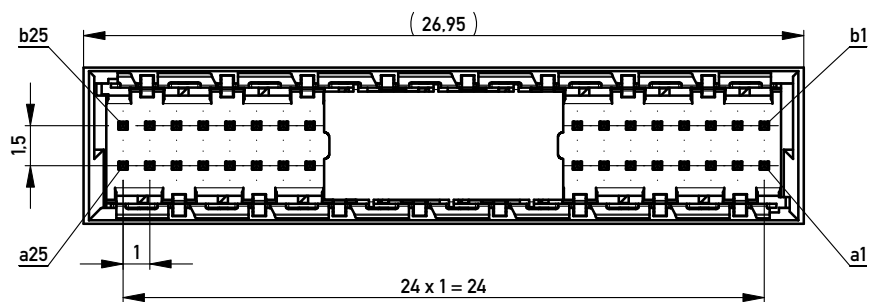


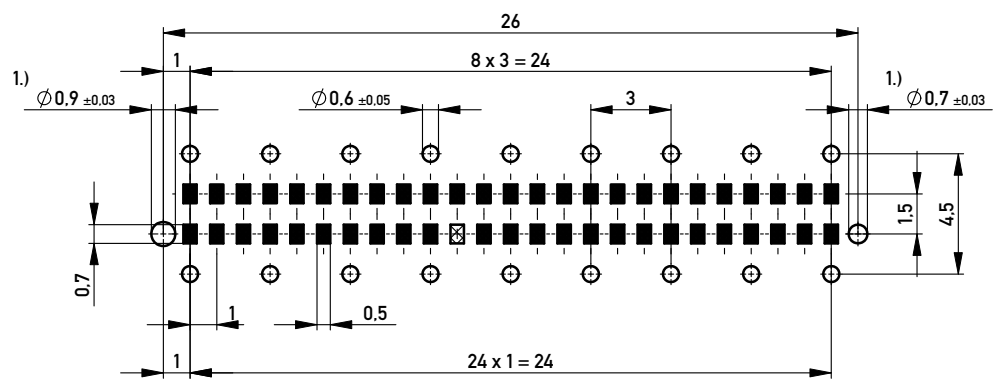
Verpackt in Gurtverpackung - Tape on Reel Packaging  
 Verpackungseinheit: 220 Stück - Packaging unit: 220 pcs



Abspulrichtung - Reel off Direction



Leiterplatten-Layout Vorschlag / PCP-Layout Proposal



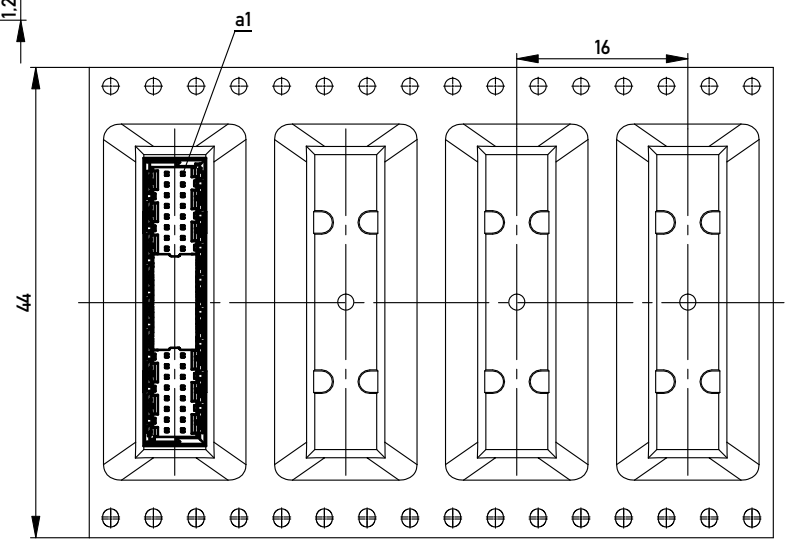
1.) Durchmesser des Bohrers / Drill tool

Anforderungsstufe 1  
 Performance Level 1

Kontaktbereich vergoldet  
 Mating Area gold plating

Anschlussbereich verzinkt 4-6 µm  
 Terminal Area 4-6 µm tin plating

Koplanarität der Anschlüsse ≤ 0,1 mm  
 Coplanarity Area of Termination ≤ 0,1 mm



Information:		Tolerances	Scale 5:1
All rights reserved. Only for Information. To ensure that this is the latest version of this drawing, please contact one of the ERNI companies before using.		 All Dimensions in mm	Designation
Subject to modification without prior notice. Drawing will not be updated.		www.ERNI.com	<b>Messerleiste 10mm THR, 50 polig</b> <b>Male 10mm THR, 50 contacts</b>
g	29.09.2010	<b>224562</b>	
Index	Date	Class	MSPEED
			1 A3

Copyright by ERNI GmbH. Proprietary notice pursuant to ISO 16016 to be observed.